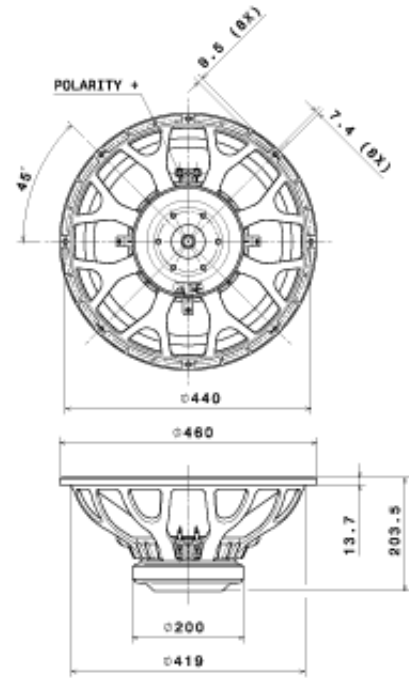




18HP1010 High Performance Series



NOMINAL SPECIFICATIONS

Nominal Diameter	460 mm (18 in)
Overall Diameter	460 mm (18.11 in)
Bolt Circle Diameter	440 mm (17.32 in)
Baffle Cutout Diameter	421 mm (16.57 in)
Depth	203.5 mm (8.01 in)
Flange and Gasket Thickness	13.7 mm (0.54 in)
Net Weight	10.1 Kg (22.35 lb)
Shipping Box (Single Carton Box)	503x500x258 mm (19.80x19.68x10.16 in)
Shipping Weight	11.1 Kg (24.47 lb)

ELECTRICAL SPECIFICATION

Nominal Impedance	8 Ohm
Minimum Impedance	6.7 Ohm
AES Power Handling *	1000 W
Maximum Power Handling **	2000 W
Sensitivity (1W/1m)	98 dB
Frequency Range	35÷2000 Hz
Voice Coil Diameter	100 mm (4 in)
Winding Material	Cu
Former Material	Glass Fiber
Winding Depth	23 mm (0.91 in)
Magnetic Gap Depth	10.5 mm (0.41 in)
Flux Density	1.05 T
Magnet	Ferrite Ring
Demodulation	No
Suspension ***	Triple Roll

THIELE & SMALL PARAMETERS

Fs	35 Hz
Re	5.3 Ohm
Qes	0.42
Qms	7.8
Qts	0.4
Vas	215.3 dm ³ (7.6 ft ³)
Sd	1134 cm ² (175.8 in ²)
Xmax ****	9.75 mm
Xdamage *****	21.9 mm
Mms	175.2 g
Bl	22 N/A
Le	1.8 mH
Mmd	152.7 g
Cms	0.12 mm/N
Rms	4.94 Kg/s
EBP	83 Hz
Eta Zero	2.13 %

NOTES

Spider Profile: 2x non-adjacent symmetrical constant height waves

(*) 2 Hours Test According to AES 2-1984 Rev. 2003

(**) Maximum power is defined as 3dB greater than nominal power.

(***) Treated Polycotton

(****) $X_{max} = [(winding\ depth - magnetic\ gap\ depth) / 2] + (magnetic\ gap\ depth / 3)$

(*****) Maximum excursion before permanent damage

CURVES

