

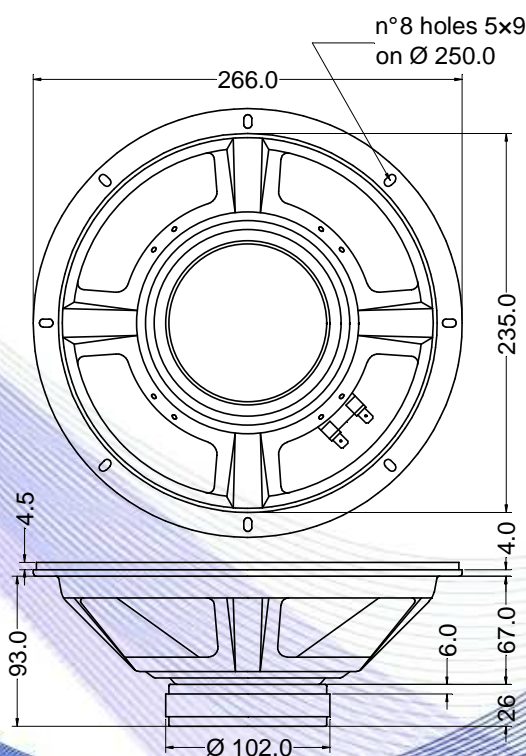
- 1,5" voice coil Epotex former
- Ferrite magnet circuit with copper ring
- Dual cone
- 93.9 dB sensitivity



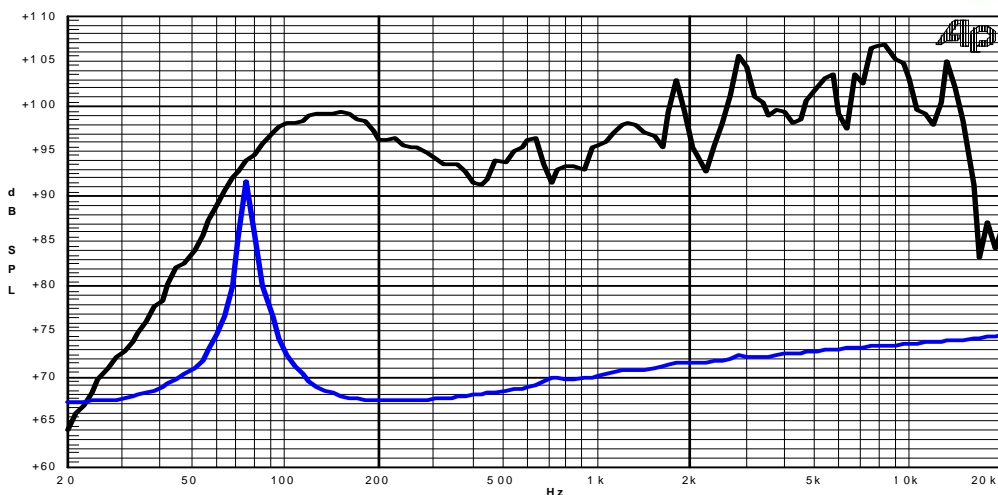
Specifications	
Nominal Diameter	266mm (10")
Nominal Impedance	8Ω
Rated Power AES ⁽¹⁾	80W
Continuous Program Power ⁽²⁾	160W
Sensitivity @ 1W/1m ⁽³⁾	93.9dB
Voice Coil Diameter	38mm (1,5")
Voice Coil Winding Depth	9mm
Magnetic Gap Depth	6mm
Flux Density	0.95T
Magnet Weight	426g
Net Weight	1.9kg

Thiele & Small Parameters ⁽⁴⁾			
Re	5.00Ω	Fs	71.0Hz
Qms	12.27	Qes	1.28
Qts	1.16	Mms	22.6g
Cms	222μm/N	Bxl	6.26Tm
Vas	34.5l	Sd	330.1cm ²
X max ⁽⁵⁾	+/-2.2mm	X var ⁽⁶⁾	+/-4.5mm
η ₀	0.92%	Le (1kHz)	0.26mH

Costructive Characteristics	
Magnet	: Ferrite
Basket Material	: Pressed Sheet Steel
Voice Coil Winding Material	: Copper
Voice Coil Former Material	: Epotex
Cone Material	: Paper
Cone Treatment	: No
Surround Material	: Paper - Integrated
Dust Dome Material	: Non Treated Cloth



Frequency Response on IEC Baffle (DIN 45575) @ 1W,1m – Free Air Impedance



- Note:
- 1 : Rated Power measured with 2 hours test with pink noise signal, 6dB crest factor, loudspeaker mounted on enclosure
 - 2: Power on Continuous Program is defined as 3 dB greater than the Rated Power
 - 3: Calculated by Thiele & Small parameters
 - 4: Thiele & Small parameters measured with laser system without preconditioning test
 - 5: Measured with respect to a THD of 10% using a parameter-based method
 - 6: Value corresponding to a decay of the Force Factor, or Compliance, or both, equal to the 50% of the small signal value.
 - 7: Drawing dimensions: mm
 - 8: The notch around 400Hz on the frequency response is typical of the measurement on IEC baffle