




AD-708

Wideband 4-channel Auto Gain-Control Antenna Divider

User Guide



! IMPORTANT SAFETY INSTRUCTIONS !

1. Read these instructions.
 2. Keep these instructions.
 3. Heed **all** warnings.
 4. Follow **all** instructions.
 5. Do not use this apparatus near water.
 6. Clean only with a dry cloth.
 7. Do not block any ventilation openings. Install in accordance with the manufacturer's instructions.
 8. Do not install near any heat sources such as radiators, heat registers, stoves, or other apparatus (including amplifiers) that produce heat.
 9. Do not defeat the safety purpose of the polarised or ground plug: A polarised plug has two blades with one wider than the other. The wide blade is provided for your safety. When the provided plug does not fit into your outlet, consult an electrician for replacement of the obsolete outlet.
 10. Protect the power cord from being walked on or pinched particularly at plug, convenience receptacles, and the point where they exit from the apparatus.
 11. Only use attachments/accessories specified by the manufacturer.
 12. Use only with a cart, stand, tripod, bracket, or table specified by the manufacturer, or sold with the apparatus. When a cart is used, use caution when moving the cart/apparatus combination to avoid injury from tip-over.
- 
13. Unplug this apparatus during lightning storms or when unused for long periods of time.
 14. Refer **all** servicing to qualified service personnel. Servicing is required when the apparatus has been damaged in any way, such as power-supply cord or plug is damaged, liquid has been spilled or objects have fallen into the apparatus, the apparatus has been exposed to rain or moisture, does not operate normally, or has been dropped.
 15. To reduce the risk of fire or electric shock, do not expose this apparatus to rain or moisture.
 16. Apparatus should not be exposed to dripping or splashing and no objects filled with liquids, should be placed on the apparatus.
 17. Use only with the battery which specified by manufacturer.
 18. The power supply cord set is to be the main disconnected device.
-

WARNING

1. FOR OUTDOOR USE:




To reduce the risk of fire or electric shock, do not expose this apparatus to rain or moisture.

2. UNDER WET LOCATION:

Apparatus should not be exposed to dripping or splashing and no objects filled with liquids, such as vases should be placed on the apparatus.

3. SERVICE INSTRUCTIONS:

CAUTION - These servicing instructions are for use by qualified service personnel only. To reduce the risk of electric shock, do not perform any servicing other than that contained in the operating instructions unless you are qualified to do so.

	
	This symbol indicates that dangerous voltage constituting a risk of electric shock is present within this unit.
	This symbol indicates that there are important operating and maintenance instructions in the literature accompanying this unit.

Disposal

Dispose of any unusable devices or batteries responsibly and in accordance with any applicable regulations.



2005-08-13

Disposing of used batteries with domestic waste is to be avoided!

Batteries / NiCad cells often contain heavy metals such as cadmium (Cd), mercury (Hg) and lead (Pb) that makes them unsuitable for disposal with domestic waste. You may return spent batteries/ accumulators free of charge to recycling centres or anywhere else batteries/accumulators are sold.

By doing so, you contribute to the conservation of our environment!

FC & IC - ID

THIS DEVICE COMPLIES WITH PART15 OF THE FCC RULES AND RSS-123 ISSUE2 OF CANADA. OPERATION IS SUBJECT TO THE FOLLOWING TWO CONDITIONS:

(1) This device may not cause interference.

(2) This device must accept any interference, including interference that may cause undesired operation of the device. This equipment complies with FCC RF radiation exposure limits set forth for an uncontrolled environment.

I. Part Names, Fig. 1

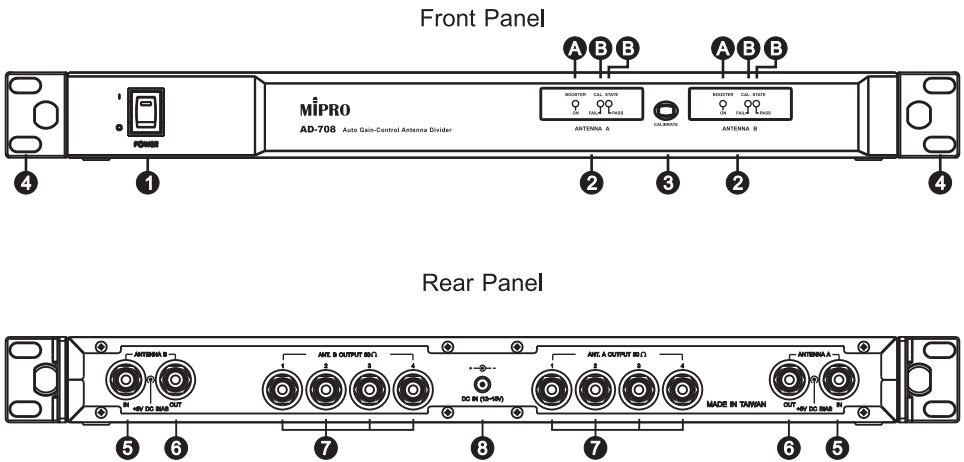


Fig. 1

- ① Power On/Off Switch
- ② ANTENNA A / ANTENNA B
 - Ⓐ BOOSTER: when signals are received at Antenna-in Connector ⑤, the indicator will be lit to indicate power.
 - Ⓑ CAL. STATE:
 - (1) PASS (green indicator lit) indicates gain-control step is completed.
 - (2) FAIL (red indicator lit) indicates signal loss from cables. Inspect, adjust and press CALIBRATE button again to monitor cable-loss and gain control performance.
- ③ CALIBRATE button: Press CALIBRATE button to execute dual A / B auto gain control function.
- ④ Rack Mount Bracket: For mounting on an EIA standard 19" rack-mount cabinet.

- ⑤ **Antenna-in Connector:** Connects directly to an antenna or a booster with remote antenna. Connector provides regulated 8.3 V DC power for booster.
- ⑥ **Antenna-out Connector:** Deliver pre-distributed signal so it can conveniently connect to another antenna divider.
- ⑦ **Antenna Distribution Output Connector:** The distributed signal outputs for multiple systems.
- ⑧ **DC Power Input Jack:** To connect DC 12 V from an AC/DC adapter.

II. Installation

1. First Application, Fig. 2:

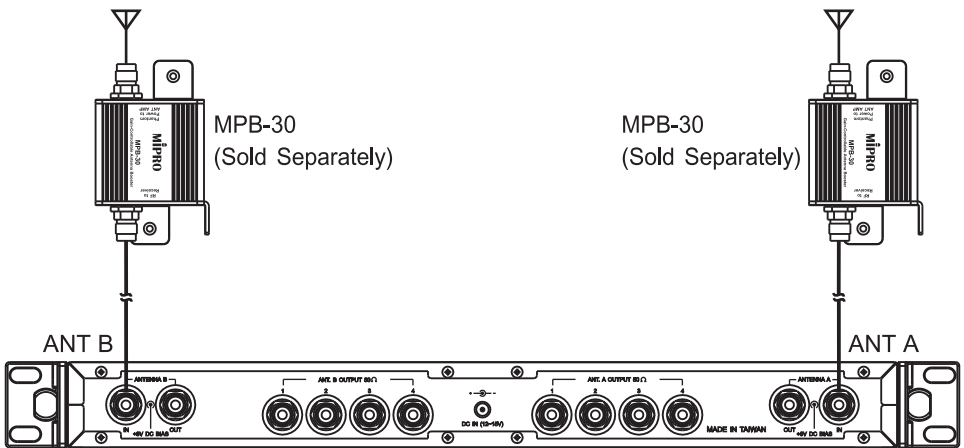


Fig. 2

Working with MPB-30 gain-control antenna boosters to control the gain level of MPB-30 to compensate the signal-loss from cables precisely to achieve optimal receiving performance.

2. Second Application, Fig. 3:

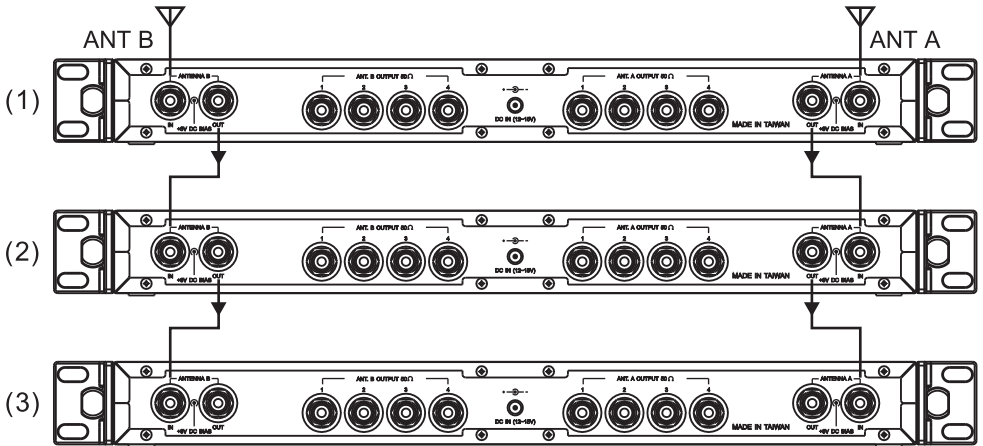


Fig. 3

To build a larger divider system, when antenna-in connector of system (1) is connected to an antenna, system (1) can distribute signal to system (2) via antenna-out connector, and so on.

3. Third Application:

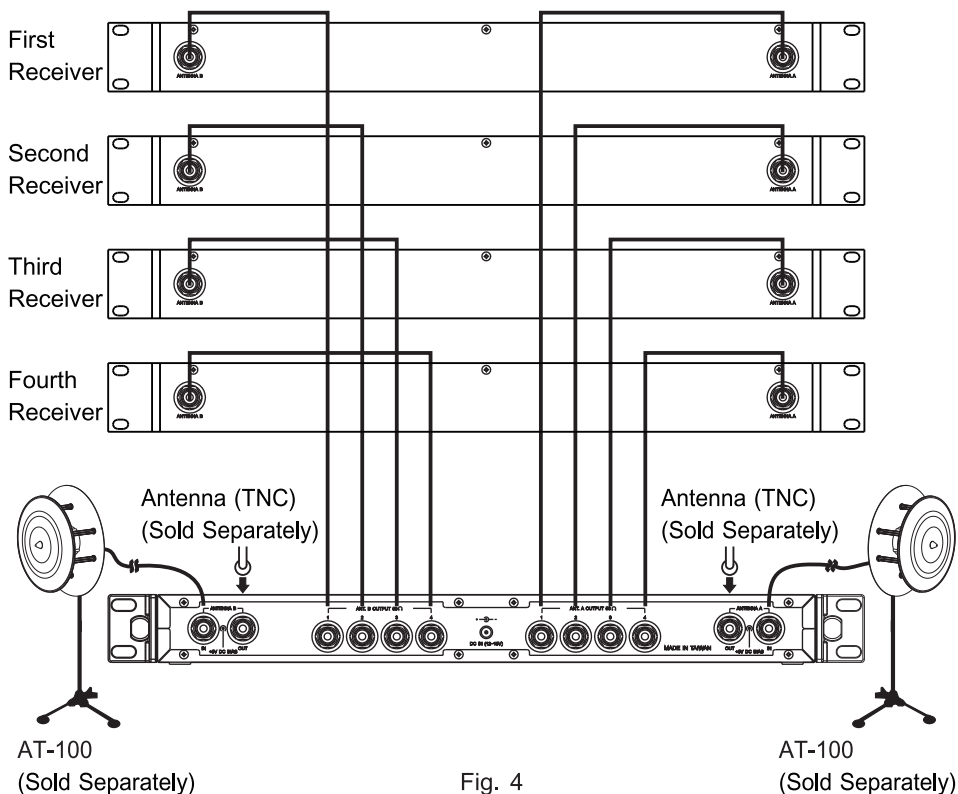


Fig. 4

- (A) Use rack mount brackets and install this system with receivers on an EIA standard cabinet.
- (B) Use receiver antennas or AT-100's and install onto antenna-in connectors, see Fig. 4.
- (C) MIPRO accessory, FB-30, front antenna mount brackets (not included) can also be installed at the front of the receiver to improve antenna reception, see Fig. 5.

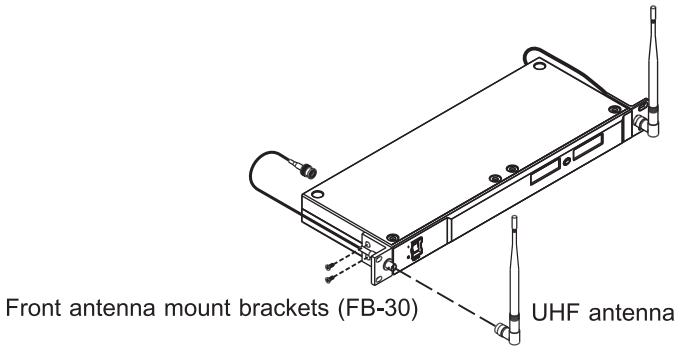


Fig. 5

- (D) Connect antenna distribution output connector to antenna connector of each receiver via RG-58AU signal cable (included in the package).
- (E) Connect DC lead into the DC socket, and the AC adapter into an AC outlet socket (Caution: adapter voltage must adhere to each local AC voltage range)
- (F) To operate, simply power-on the power switch.

III. Cautions

1. Antenna-in connector has 8.3 V DC output. Be cautious that any parts of antenna or core wire of antenna cable should not make direct contact with case to avoid electric shortage.
2. It will not function properly if DC voltage falls below 12 V. However, if it exceeds 15 V, it will damage internal circuit components.
3. Use 50Ω coaxial cables between receiver and divider. Best to keep cable length as short as possible. It is recommended to use the included cables.
4. If the cable loss is far beyond the MPB-30 gain-control antenna boosters may compensate, it is necessary to add adequate antenna cable type and length.
5. This device is a wideband antenna divider (regulated at 470~850 MHz for EU). When pair this system with conventional narrowband $1/4\lambda$ or coaxial antenna, please make sure frequency band of antenna matches with receiver.
6. Design and specifications are subject to change without prior notice. Refer to actual product in the event of product discrepancy.

MIPRO[®]
MICROPHONE PROFESSIONALS

MIPRO Electronics Co., Ltd

Headquarters: No. 814, Beigang Rd., Chiayi City 60096, Taiwan
Tel : +886.5.238.0809
www.mipro.com.tw

Fax : +886.5.238.0803
mipro@mipro.com.tw



All rights reserved. MN 019/09

Do not copy or forward without prior approvals MIPRO.

Specifications and design subject to change without notice.



2CE506B